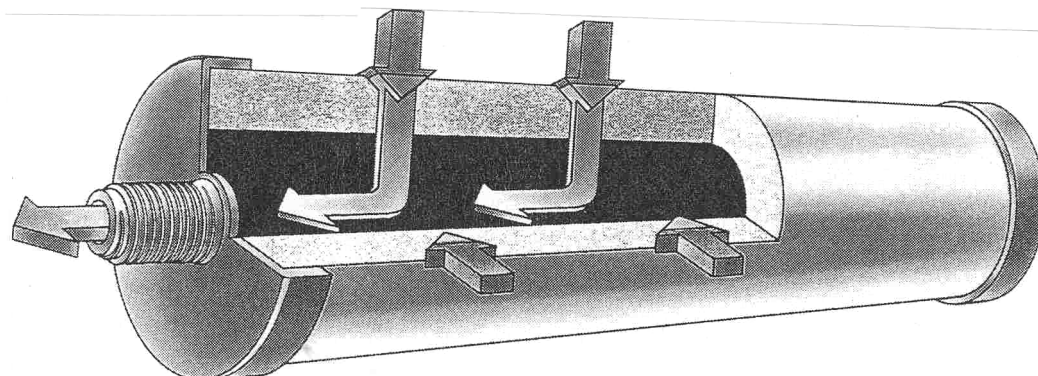


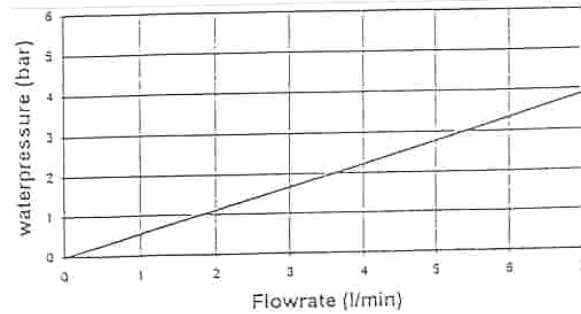
Superdyn **Double Stage Efficiency in one Candle: KATADYN CERAMIC + CARBON BLOCK**

- Description** Superdyn is a combined filter element, consisting of microporous ceramic and a high performance activated carbon block. Suspended matter and bacteria are retained on the ceramic surface without using chemicals. The inner activated carbon block adsorbs free chlorine and other organic contaminants, that contribute to bad taste and odour and reduces lead and other heavy metals. Due to the huge internal surface of the activated carbon block the filter can be used for up to 6 months.
- Safety** In the ceramic permanently incorporated Katadyn silver is working against bacteria growth in the filter.
- Application** Combined ceramic / activated carbon cartridge for use in domestic filters.
- Function** Bacteriological depth filtration combined with highest chemical adsorption capacity:



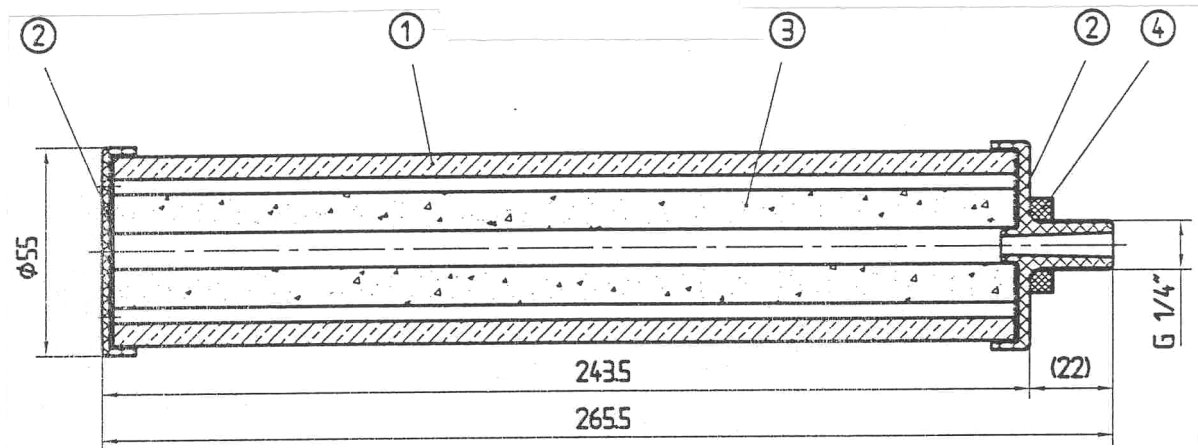
- Flow rate** Depending on the filter system in which the cartridge is installed.
 Capacity min. 5.4 l/min. (1.43 GPM) at 3 bar (43.5 PSI) and 20 °C (68 °F)
- Performance**
 - 99.999 %** removal of harmful **Bacteria** and **Parasites**
 - 99.99%** removal of **Cryptosporidium** and **Giardia**
 - >90 %** **Lead** reduction after 4000 litres (1050 US gallons), based on a test with 2.6 l/min, 20°C and an initial concentration 150 ppb
 - > 90 %** **Chlorine** reduction after 4000 litres (1050 US gallons), based on a test with 3 l /min, 20 °C and an initial concentration 2 ppm

- Flow rate diagram:**



Superdyn Katadyn Ceramic + Carbon Block

- Dimensions**



- Materials**

1. ceramic body	diatomaceous earth (main component)
2. end caps	ABS
3. AC block	high performance activated carbon
4. outlet seal	EPDM

All materials are approved for use in drinking water applications

- Thread** G 1/4" male thread
- Service Life** The overall capacity of the Superdyn is defined by the capacity of chlorine reduction. The service life depends on the quality of the water. It is recommended to change the element after 6 months of use or 4000 litres, whichever occurs first.
- Safety** At least after every month of continuous use the element should be taken out of the system, washed and completely air-dried before it is used again. Therefore we recommend to have two candles in opposite cycles in use.
- Operation** Max. 7 bar / 100 psi, t < 35°C / 95°F

Pressure

- **Weight** Dry: approx. 290 g (10,2 oz)
 Wet: approx. 600 g (21,2 oz)
- 0°C (32°F) ← **Temperature for use** → 52°C (125°F)
- **Filter rating** Ceramic micro filter 0.2 micron (0.0002 mm)
 Carbon: 1 micron (0.001 mm)
- **Article no.** 20702

Katadyn Products Inc.

Birkenweg 4, CH-8304 Wallisellen, Switzerland

Tel. ++41 1/839 21 11, Fax ++41 1/830 79
42

E-Mail: katadyn@katadyn.ch

Internet: <http://www.katadyn.ch>