

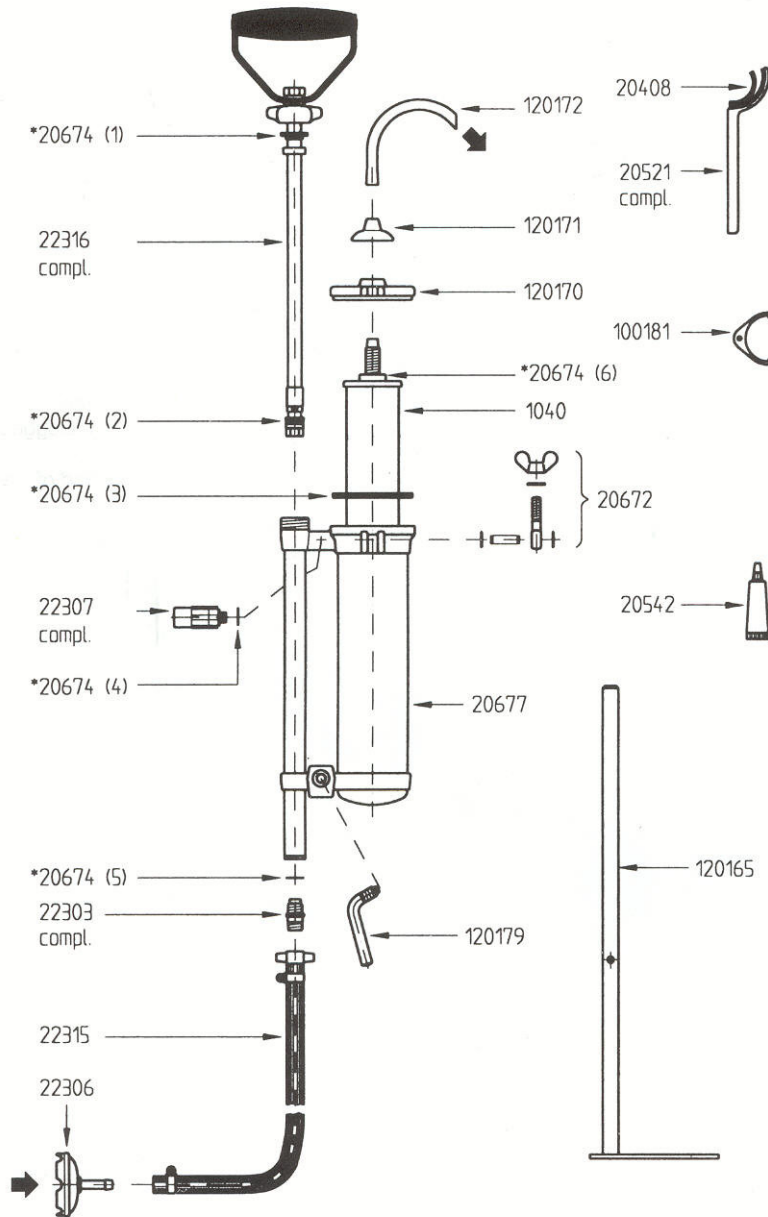


MAKING WATER DRINKING WATER

# Katadyn® Expedition KFT

## Operation

122450: Carrying bag / Tragtasche / sacoche / estuche / sacco  
\*20674: Sealing set / Dichtungs-Set / Set de joints / juego de juntas



Technical changes are reserved / Technische Änderungen vorbehalten /  
Sous réserve de modifications techniques / Cambios de construcción reservados

## **1. Operation**

- 1.1 Carefully remove Katadyn Filter from canvas carrying bag.
- 1.2 Loosen holding screw 120179 and then fix the Filter with its pump incorporated by means of this screw at the correct operating level on the support 120165.
- 1.3 Loosen wing screw 20672; turn locking device down on both sides; raise lid 120170 with the Filter element 1040 screwed in, and remove the protecting covering applied for transport. Make sure that the Filter element is properly screwed in; gasket 20674 (6) must seal tight. Be careful not to tighten the screw excessively, as this may make the rubber gasket squeeze away.
- 1.4 Immerse sucking hose 22315 and sieve 22306 into the raw water.
- 1.5 Turn outlet tube 120172 to front; this tube should be absolutely clean; fasten cap nut 120171.
- 1.6 Start pumping by moving the pump handle 22316 up and down. After about 20 pumping strokes the clean, disinfected water will flow through outlet tube 120172.

## **2. Cleaning**

The Filter element must be cleaned when, after having been in operation for some time, a certain resistance to the filtration process is noticed, while the water flow diminishes, or the overpressure relief valve 22307 is discharging (at 112 lbs p.s.i.). The higher the contents of suspended matter present in the water the more frequently the Filter Element requires cleaning.

- 2.1 Loosen wing screw 20672 and turn locking device down on both sides.
- 2.2 Take the ceramic element 1040 with lid and outlet tube out of the filter housing and clean with the brush 20521 (contained in the inner packet of the canvas bag). Any coating deposit must be brushed off until the natural light colour of the ceramic is restored. Use no other abrasive or scouring agents. Do not treat with any cleaning agents or disinfectants. Do not boil the filter element, nor sterilise it with steam. Do not dry the filter element by placing it on hot surfaces, in ovens or with microwave units.
- 2.3 Clean the filter housing 20677 periodically.
- 2.4 Should the Filter not be used for some time, remove the Filter element and clean it as described under 2.2. Allow it to dry for at least 5-10 hours in a ventilated room. This will prevent the Filter element from musty smell.
- 2.5 Make sure that the Filter element is screwed in tightly (see under 1.3). Reassemble the Filter.
- 2.6 To ensure proper functioning of the pressure relief valve 22307, regularly remove and clean this valve.
- 2.7 Protect clean water outlet of the Filter element and outlet tube against pollution.

## **3. Trouble Shooting**

Should, after approximately 20 pumping strokes, no water flow through the outlet tube, please check:

- if sucking hose 22315 is cracked
- if sucking sieves 22306 are clogged, or stick to the ground
- if screw cap at the upper end of the sucking hose is tightened properly
- if piston gasket 20674 (2) is defective.

If water squirts out along the piston handle 22316 tighten the wing nut (Diag. above gasket 20674 (1)). If still leaking, the gasket 20674 (1) has to be replaced.

#### **4. Checking the Filter element**

- Check the filter element for the minimum diameter (38 mm) with the measuring gauge 100181. If the measuring gauge is able to slide over the ceramic element without being forced, then the filter diameter is below the minimum required and must be replaced.
- If the filter is cracked, water disinfection can no longer be guaranteed. Do not continue to use a cracked element; it must be replaced immediately.

#### **5. Replacing the Filter element**

As soon as the Filter element gets defective by damaging, or too thin by brushing, it has to be replaced by a new self-disinfecting Katadyn Filter element 1040. Take care that the rubber gasket 20674 (6) is inserted properly.

**Transporting the element: gently with care!**

## **Limited Warranty**

Your Katadyn Siphon Microfilter is warranted for two (2) years from the date of purchase against defects in materials and workmanship. Should your Katadyn Combi prove defective within one year from the date of purchase, return it to the Katadyn retailer from whom it was purchased. If you have any questions please contact Katadyn at +41 1 839 21 11. Katadyn, at its discretion, will replace or repair the damaged item. Please retain your purchase receipt as proof of date purchased.

Contact International:  
**Katadyn Products Inc.**  
Birkenweg 4  
8304 Wallisellen / Switzerland  
info@katadyn.ch / www.katadyn.ch